

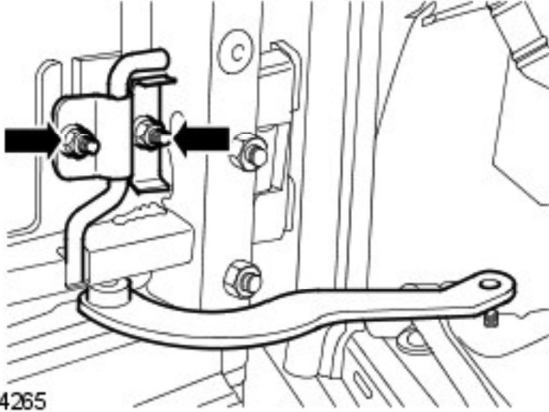
Glass, Frames and Mechanisms - Rear Door Window Glass

Removal and Installation

Removal

1. Remove rear door reinforcement panel.
For additional information, refer to: Rear Door Reinforcement Panel (501-03, Removal and Installation).

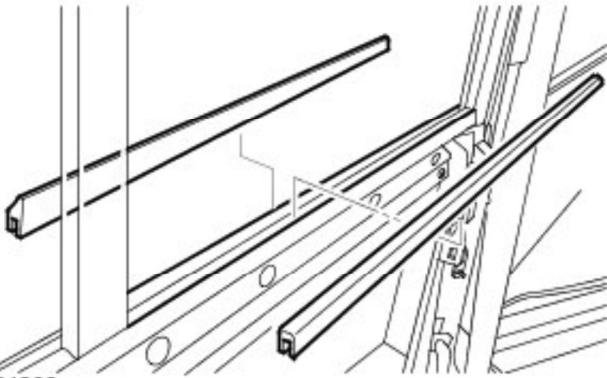
2. Loosen 2 nuts and remove door check strap torsion bar and plate.



M764265

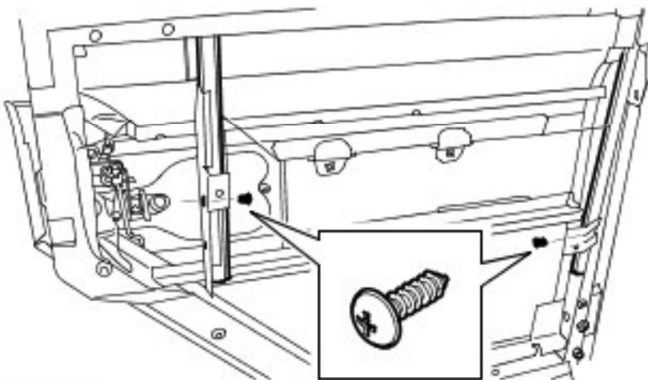
3. Remove check strap.

4. Remove inner and outer waist seal.



M764266

5. Remove screw from each glass channel.



M764267

6. Lower glass to bottom of door, lift over lower edge and withdraw from door.

Installation

1. Insert glass into channels and carefully push to top of frame.
2. Secure glass channels with screws. Ensure screw heads are down below bottom of channels to prevent damage to glass.

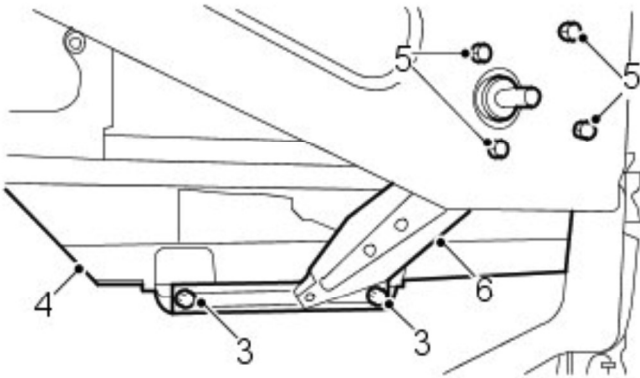
3. Install inner and outer waist seal to door.
4. Install check strap.
5. Install check strap torsion bar and tighten nuts to 10 Nm (7 lbf.ft) .
6. Instal rear door mounting panel.
For additional information, refer to: Rear Door Reinforcement Panel (501-03, Removal and Installation).

Glass, Frames and Mechanisms - Rear Door Window Regulator and Motor

Removal and Installation

Removal

1. Remove rear door trim casing.
For additional information, refer to: Rear Door Trim Panel - Vehicles Built From: 07/2001 (501-05 Interior Trim and Ornamentation, Removal and Installation).
2. Carefully release plastic sheet from rear door.
3. Remove 2 bolts securing door glass to regulator.
4. Raise glass and secure with a suitable wedge.
5. Remove 4 bolts securing glass regulator assembly to door.
6. Manoeuvre regulator through access hole at bottom of the door.



M763141

Installation

1. Clean mating face of regulator and door glass.
2. Lubricate regulator with grease.
3. Position regulator in door and secure with bolts.
4. Remove wedge holding glass and align glass to regulator.
5. Secure glass to regulator and install and tighten bolts.
6. Install plastic sheet to rear door.
7. Install rear door trim casing.
For additional information, refer to: Rear Door Trim Panel - Vehicles Built From: 07/2001 (501-05 Interior Trim and Ornamentation, Removal and Installation).