



Removal and Installation sliding window and gullwing Suzuki Jimny GJ

Required materials

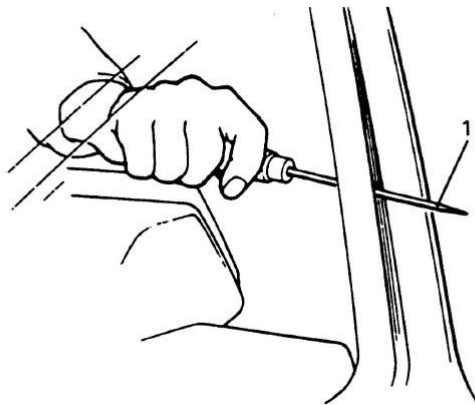
- Eyeleteer
- Piano string and glass knife
- Rubber sucker grip
- Caulking gun
- Adhesive MS Screen Bonder MS 390 TÜV approved
- Masking tape
- Alcohol
- Work table

We strongly recommend that you read the manual and all the mentioned documents in advance.

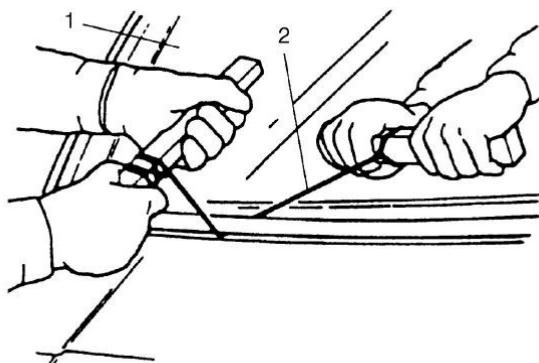
It is important that the Explore Glazing products are assembled correctly and safely. Careless assembly can lead to accidents and serious damage and / or injury to you or others. If you have no technical experience or are not familiar with the general assembly instructions, we recommend that you have our products assembled by a professional company.

Removal of the side glass

1. Using masking tape, cover body surface around the glass to prevent any damage when cutting the adhesive.
2. Make hole into adhesive with eyeleteer (1) and pass piano string through it.



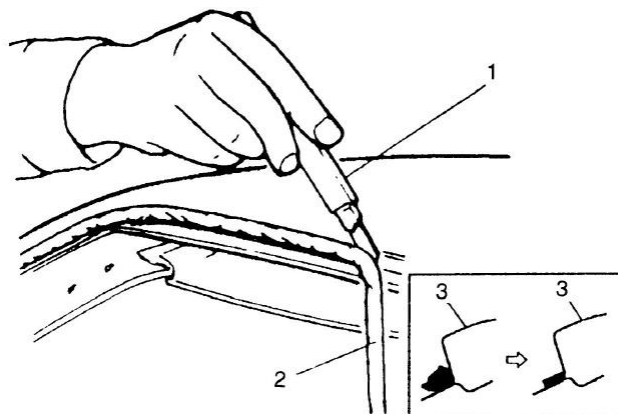
3. Cut all adhesives of the glass (1) with the piano string (2). Use the rubber sucker grip to take out the glass.

**NOTICE:**

Using the piano string separated from the glass can damage the body.

Use the piano string as close to the glass as possible.

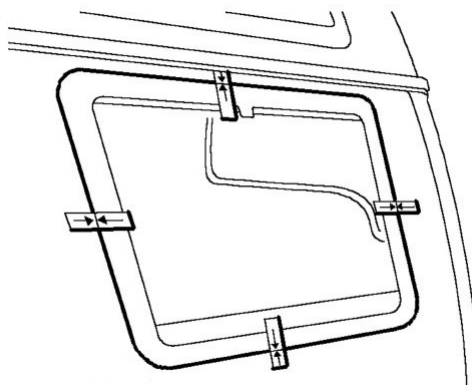
4. Use the glass knife (1), smoothen adhesive remaining (2) on body side (3) and the thickness of the adhesive may be 1 to 2 mm.

**NOTICE:**

Before using the knife, degrease it with alcohol.

Installation of the Explore Glazing sliding window or gullwing Suzuki Jimny GJ

1. Ensure yourself that your window closed and locked. Leave the gullwing closed during the entire installation.
2. With assistance, fit the window without adhesive and apply masking tape to establish reference marks as an alignment aid.
3. Remove the window by cutting through the masking tape.



4. Clean the mounting surface of the Explore Glazing sliding window or gullwing and the body of your car with alcohol.
Drying time/waiting time: 10 minutes or more.
5. Apply the adhesive as shown in the illustration and the accompanying drawing. Use a rubber sucker grip to carry and position the window after the adhesive has been applied.
6. Secure the window with tape until the adhesive has cured.

Instructions MS Screen Bonder 390:

The surface must be clean, dry and free of grease. Remove old sealers till 2 mm. When the ceramic is damaged or broken, use an appropriate primer.

Application temperature +5C till +35C. Apply the sealer with V-nozzle and mount the window within 10 minutes!

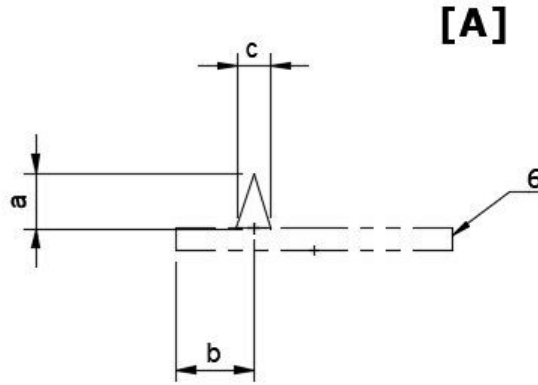
Position the window to body and secure with tape.

Safe Drive-Away time, for vehicles with or without dual airbag: 2 hours!

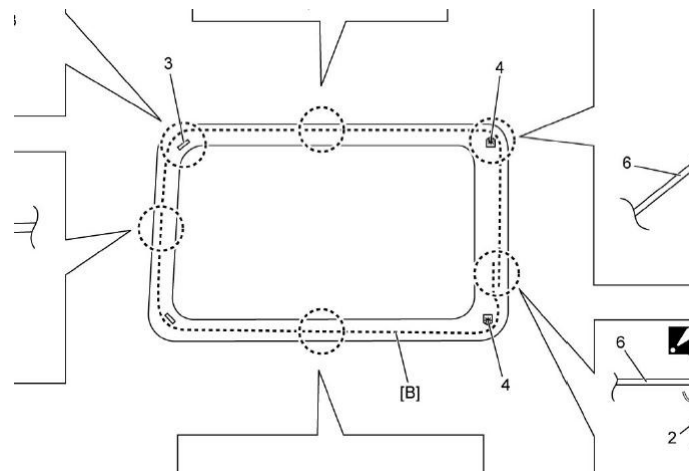
CAUTION:

The adhesive is easier to process if you place the tube in warm water half an hour in advance. This makes the adhesive smoother and can be applied more evenly.

You place the triangular opening of the V-nozzle on the front of your caulking gun. You apply the adhesive by dragging the caulking gun towards you, almost perpendicular to the frame, so that the adhesive forms as triangle. It is recommended to practice this on a piece of paper.



- (a) Adhesive height = ± 10 mm
 (b) Application position
 (c) Adhesive width = ± 6 mm



NOTICE:

If more than 10 minutes elapse after applying adhesive, the adhesive can harden, preventing the window form being attached firmly.

Attach the window to the body within 10 minutes after applying adhesive.

7. Allow the adhesive to dry.

The cure time of MS Screen Bondor 390 (please consult the documentation for more information) is 3 mm per 24 hours. We recommend that you do not open the new window for 72 hours after installation, to be sure that the adhesive has completely cured.

CAUTION:

If the following precautions will not be followed during the drying time of the adhesive, the window may slip, preventing it from being attached firmly.

Take the following precautions when drying adhesive

(!) Avoid quickly closing a door before complete hardening of the adhesive. Closing a door quickly can cause the window to become loose or even come off. If a door must be closed before the adhesive hardens completely, open all side windows first and then gently close the door.

(!) Hold the window down with tape until the adhesive completely hardens.

(!) Do not use infrared light for drying.

Attachments:

- Installation drawing Suzuki Jimny GJ

Resources:

- Workshop Manual Suzuki Jimny GJ [serviceportal.suzuki.eu]
- Product and Safety sheet Pro Part - MS Screen Bonder TÜV geprüft MS 390