



## Removal and installation guide sliding window and gullwing Landrover Discovery II

### Required equipment:

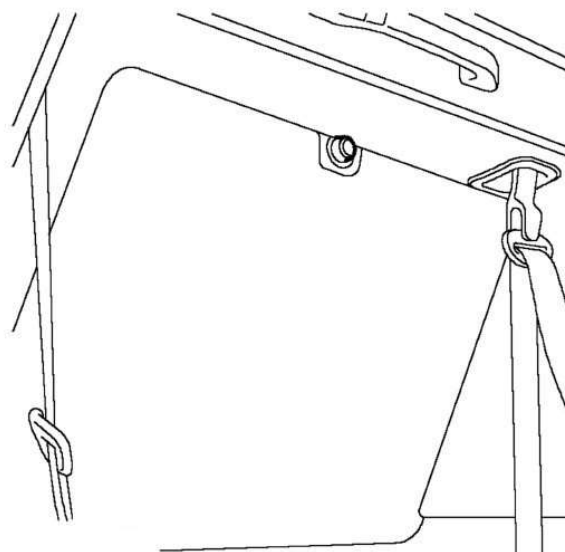
- Eyeleteer
- Piano string / windshield knife
- Rubber sucker grip
- Sealant applicator gun
- Adhesive MS Screen Bonder 390 TÜV Approved.
- Masking tape
- Alcohol
- Work table

We highly recommend to read the manual and the attached documents carefully before you begin.

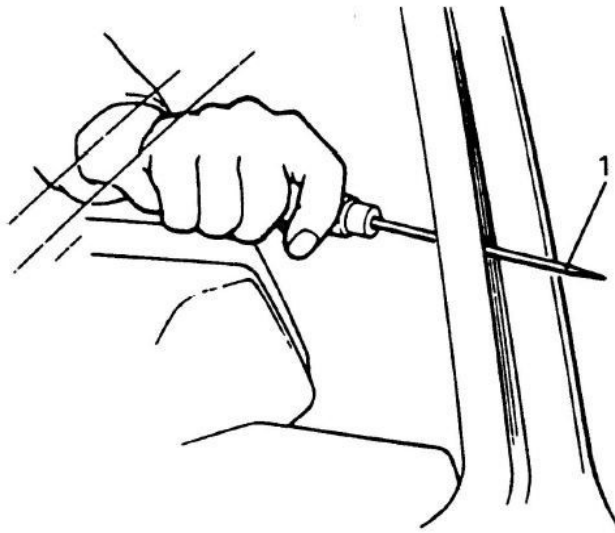
It is important that the Explore Glazing products are assembled correctly. Careless assembly can lead to accidents and serious damage and / or injury to you or others. If you have no technical experience or are not familiar with the general assembly instructions, we recommend that you have our products assembled by a professional.

### Removal of Land Rover Discovery II side window

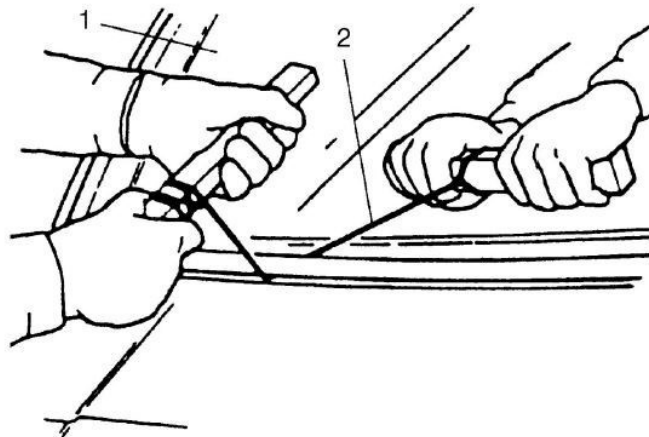
1. If fitted, disconnect coaxial cable from terminal on glass.



2. Fit protection to exterior body work adjacent to glass
3. Cover body panels adjacent to glass.
4. Fit protection to internal trim adjacent to glass
5. Cover interior of vehicle with protective sheet.
6. From outside of vehicle, use a eyeleteer (1) and carefully cut through sealant to release glass from body.



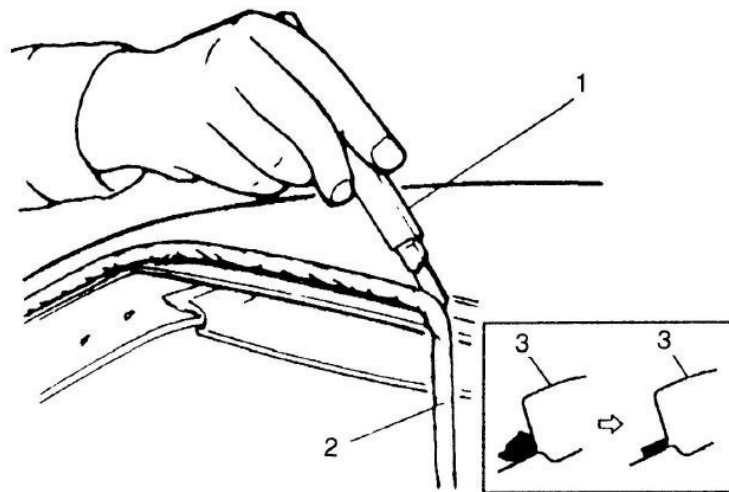
7. Cut all the adhesive around the window (1) with the piano string (2).



**CAUTION:**

Hold the piano string as close to the glass as possible to prevent damage to the body and surrounding trim.

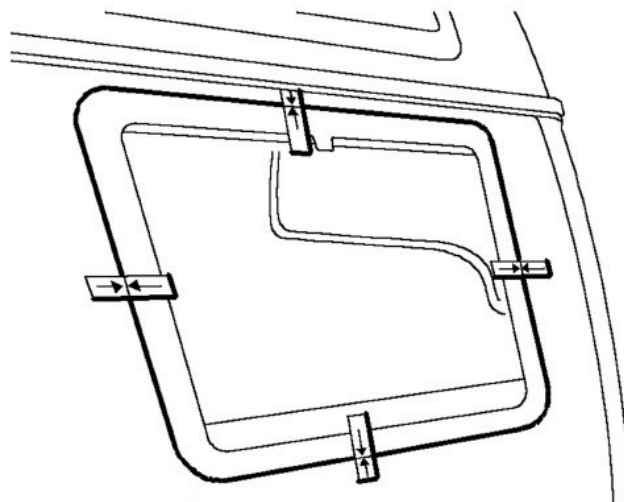
8. Remove the window with the rubber sucker grip.
9. Carefully remove sealant (2) from the body (3) with a knife (1) to leave a smooth surface. The thickness of the remaining kit may not exceed 1 or 2 mm.



**CAUTION:**  
Clean the knife with alcohol before use.

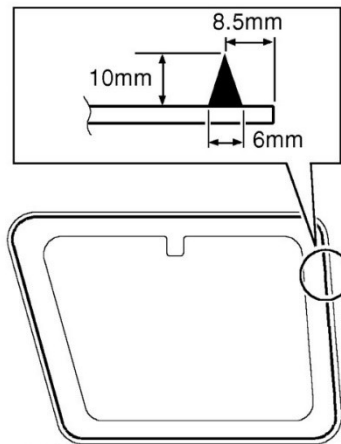
#### Installation of the Explore Glazing sliding window or gullwing Landrover Discovery II

1. Make sure the gullwing is closed and locked. Leave the gullwing closed during the entire assembly.
2. With assistance, fit the window without sealant and apply masking tape to establish reference marks as an alignment aid.
3. Remove the window by cutting through the masking tape and place aside.



4. Clean the mounting surface of the Explore Glazing sliding window or gullwing and the body with alcohol.  
Waiting time: 10 minutes or longer.

5. Apply a continuous bead of sealant to sealant face on glass as shown at the attached drawing.



6. Position the window to body and align to reference tape. Secure the window with tape until sealer has cured.

**Instructions MS Screen Bonder 390:**

The surface must be clean, dry and free of grease. Remove old sealers till 2 mm. When the ceramic is damaged or broken use an appropriate primer.

Application temperature +5C till +35C. Apply the sealer with v-nozzle and mount the window within 10 minutes!

Position the window to body and secure with tape.

Safe Drive-Away time, for vehicles with or without dual airbag: 2 hours!

**CAUTION:**

The adhesive is easier to process if you place the tube in warm water half an hour in advance. This makes the adhesive smoother and can be applied more evenly.

You place the triangular opening of the nozzle on the front of your caulking gun. You apply the adhesive by dragging the caulking gun towards you almost perpendicular to the frame, so that the adhesive forms a triangle. It is recommended to practice this on a piece of paper.

7. Allow the adhesive to dry.

The cure time of MS Screen Bonder 390 (consult the documentation for more information) is 3 mm per 24 hours. We recommend that you do not open the new window for 72 hours after installation, to be sure that the adhesive has completely cured.

**CAUTION:**

If the following precautions will not be followed during the drying time of the adhesive, the window can get loose.

Follow the following precautions when drying the adhesive:

- (!) Avoid closing a door quickly before the adhesive has completely cured. By quickly closing a door, the window can become loose or even fall out of the frame. If it is necessary to close a door before the adhesive has fully cured, first open all side windows and then close the door carefully.
- (!) Secure the window with tape until the adhesive has completely cured.
- (!) Do not use infrared light for drying.

Attachments:

- Installation drawing Landrover Discovery II
- Product sheet MS Screen Bonder 390
- Safety sheet MS screen Bonder 390

---

Resources:

- Workshop manual Discovery II ([www.landroverresource.com](http://www.landroverresource.com) (pp 993 – 994))
- Product sheet and safety sheet Pro Part – MS Screen Bonder TÜV approved MS 390