

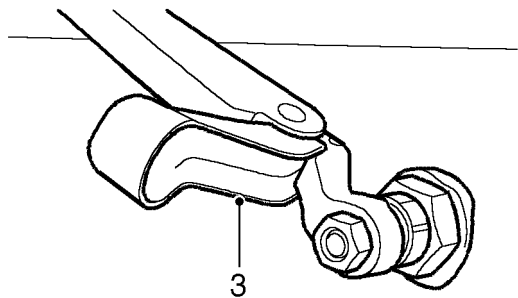


GLASS/SEALING RUBBER - TAIL DOOR - UP TO 02MY

Service repair no - 76.31.22

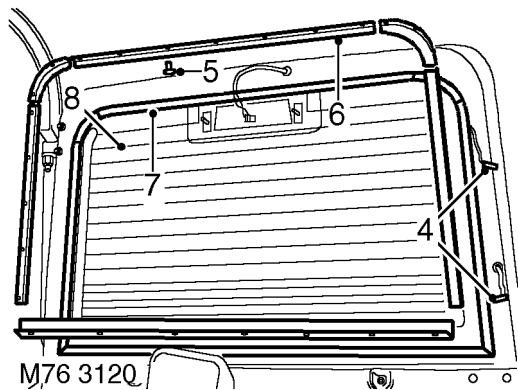
Remove

1. Remove high level stop lamp. **See *ELECTRICAL, Repair.***
2. Remove 3 nuts and remove spare wheel.



M76 3119

3. Raise cover, remove nut and remove rear wiper arm assembly.



M76 3120

4. Disconnect 2 HRW Lucars.
5. Remove 30 screws securing door glass retainers.
6. Remove door glass retainers.
7. Remove door glass sealing strips.
8. Release and remove door glass.

Refit

9. Clean old sealant from glass aperture.
10. Apply sealant to glass aperture.
11. Position door glass, fit sealing strips and glass retainers and secure with screws.
12. Connect HRW lucars.
13. Fit high level stop lamp. **See *ELECTRICAL, Repair.***
14. Fit rear wiper arm assembly and secure with nut.
15. Position spare wheel and secure with nuts.