



Installation guide Explore Overlander Light C100

Necessary materials:

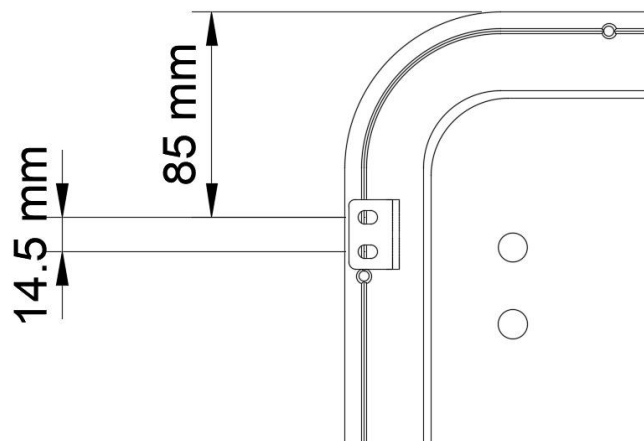
- Ruler
- Screwdriver
- Hex key set
- Hammer
- Cordless drill
- Masking tape
- Scissors / Pencil
- Cloth and alcohol

We recommend that you read the manual carefully in advance and watch the instruction video on the YouTube channel of Explore Glazing: <https://youtu.be/IEDmnJvOXvU>

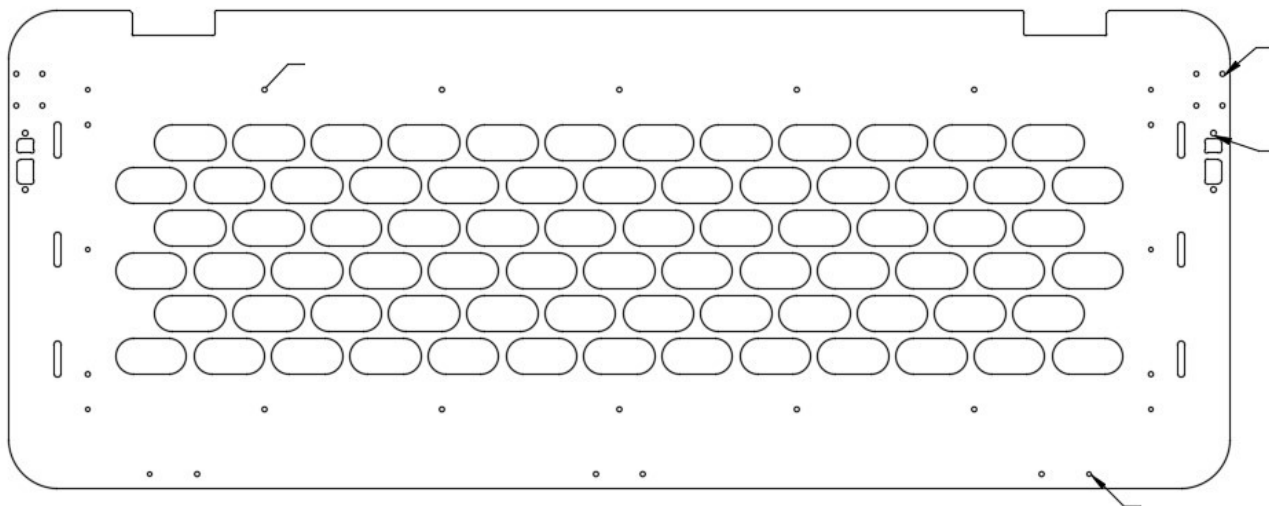
Note: the video on our YouTube channel is of the first version of the Explore Overlander Light. Some parts may have changed. Always follow this manual!

It is important that the Explore Glazing products are mounted correctly and safely. Careless assembly can lead to accidents and serious damage and / or injury to you or others. If you have no technical experience or are not familiar with the general assembly instructions, we recommend that you have our products assembled by a competent company.

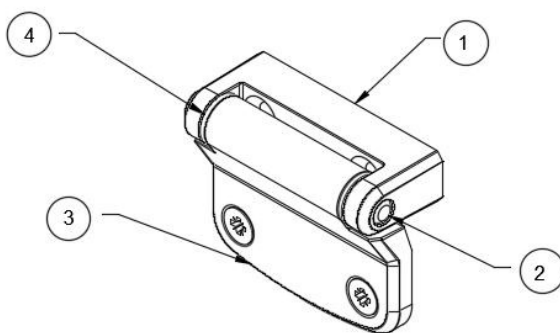
1. For the position of the closing brackets, mark two points on 85 mm and 99.5 mm, measured from the top of the Explore Glazing window. Pierce these points with a 4.2 mm drill in the designated drill channel and tap these holes with an M5 machine tap. Lubricate the tap regularly with oil.



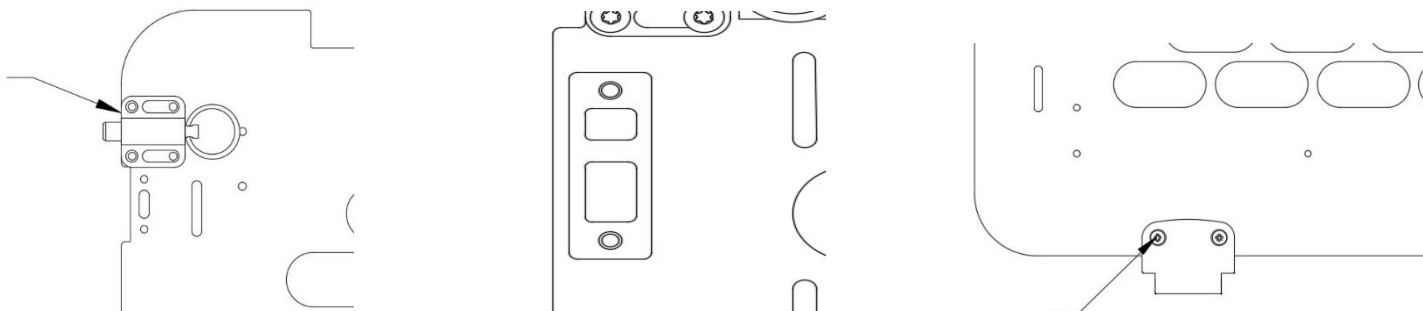
2. Place the closing brackets with the corresponding screws on the window frame.
3. Tap all required holes from the inside of the Overlander with an M5 machine tap. Lubricate the tap regularly with oil.



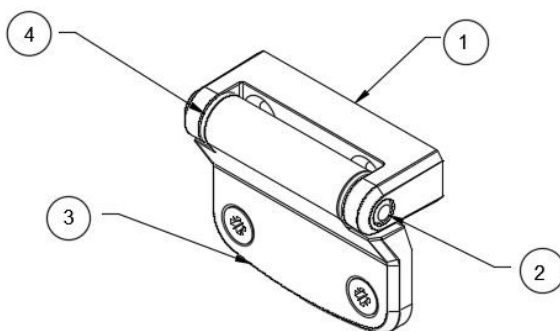
4. Gently clean the Overlander to avoid damage to the powder coating and turn the Overlander over.
5. Install the plastic shoulder washer (4) in the hinge blade (3).



6. Mount the hinge blades (3x), spring latches (2x) and the protection plates (2x) with the accompanying screws on the Overlander.

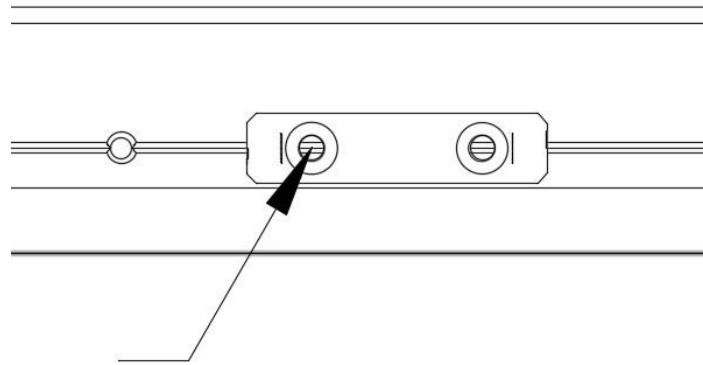


7. Attach the base plate (1) to the hinge blade (3) using the stainless steel pin (2).



8. Now the Overlander can be placed onto the Explore Glazing window. The spring latches rest in the closing brackets. The Overlander depends freely and should now be centered on either side of the Explore Glazing window.
9. Fix the position of the Overlander with masking tape and mark the position of the base plate (1) of the hinge on the Explore Glazing window.
10. Double check the position of the Overlander on the Explore Glazing window.
11. Now take off the Overlander and detach the base plate (1) from the hinge blade (3) by removing the stainless steel pin (2).

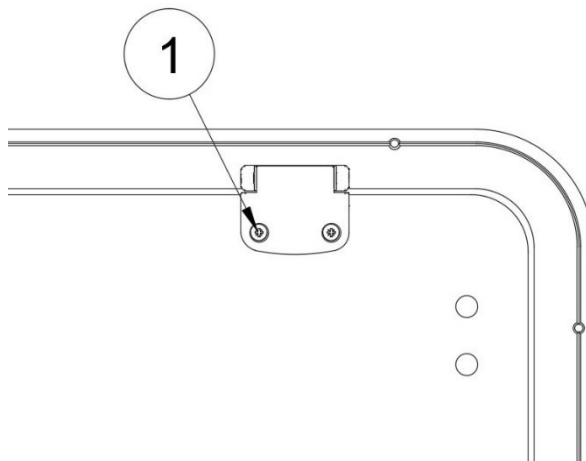
12. Place the base plate (1) of the hinge between the marked lines. Use the base plate as a template and lightly drill the holes with a 5.0 mm drill in the appropriate drill channel.



13. Pierce these points with a 4.2 mm drill in the designated drill channel and tap these holes with an M5 machine tap. Regularly lubricate drill and machine tap with oil.
14. Clean the frame to prevent damage to the frame and body.
15. Place the base plates (1) of the hinges onto the frame of the Explore Glazing window with the corresponding screws.
16. The screws of the hinge blade (3) should now be loosened slightly.
17. Replace the Overlander between the closing brackets and fix the hinge blades (3) between the base plates (1) of the hinges.
18. Carefully attach the stainless steel pin (2) in the hinges.
19. Tighten the screws of the hinge blades (3).
20. Now open the Overlander completely, so that the inside of the hinge is clearly visible. Place the plastic clips in the hinge blade to secure the stainless steel pin.
21. Mount the supplied M5 nuts and washers on the inside of the car on the screws of the hinges and closing brackets.

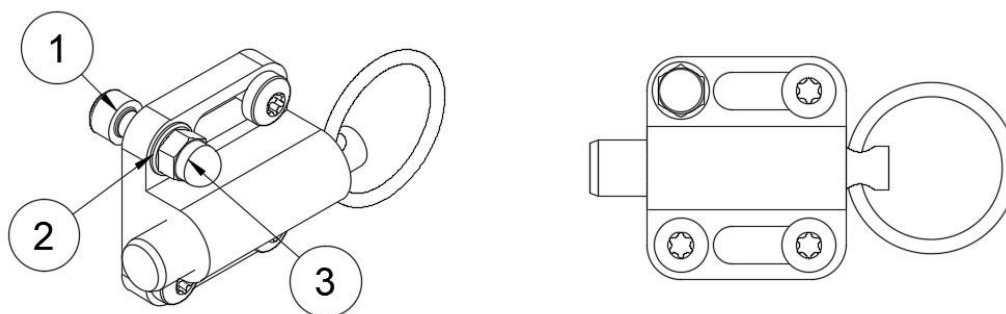
To avoid vibration of the Explore Overlander on the window:

22. When installing an Explore Overlander on an expedition window, replace the inner screws of the hinge on the top of the window with the supplied M5 x 16 socket head cap screw (1). This head cap screw can be covered with the supplied plastic cover.



23. When installing an Explore Overlander on a sliding window, replace the top screw of the spring latches with the supplied M5 x 20 socket head cap screw (1). This screw is covered with a plastic cover.

The socket head is placed on the inside of the Explore Overlander. The screw is covered on the outside with a washer (2) and an M5 cap nut (3).



If desired, you can glue the plastic cover to prevent loss.