



Installation guide Expedition storage box



Required materials:

- Drill 4.2 mm
- Screwdriver
- Wrench nr. 7
- Drilling machine
- Tensioning strap
- Wooden board or beam
- Clamping tongs (2 x)

Materials supplied

- Screws M4 x 20 (10)
- Nuts M4 (10)

We strongly recommend that you read the manual in advance.

It is important that the Explore Glazing products are assembled correctly and safely. Careless assembly can lead to accidents and serious damage and / or injury to you or others. If you have no technical experience or are not familiar with the general assembly instructions, we recommend that you have our products assembled by a professional company.

If the Explore Glazing Expedition window has not yet been installed in your car, we advise you to pre-assemble the Expedition box on the new window first.

Preparations

1. Remove the inner lining. To be able to remove the inner lining, you must first remove the seat belt attachment.
2. Depending on the year of manufacture of your Land Rover Defender, you will also need to remove the seat belt mounting plate.

With a new Expedition window to be mounted:

1. Place the box on the back of the window profile.
2. The box is fixed around the window with a tension strap.
3. Copy the holes from the Expedition window onto the Expedition box with a 4.2 mm drill. The holes are NOT drilled directly.
4. Remove the tension strap, remove the Expedition Box and drill the pre-drilled holes with a 4.2 mm drill.

Now you first follow the instructions for installing and removing the Expedition window, without using the fixing plates. The Expedition box is mounted immediately after placing the Expedition window.

Installation Expedition box

With an already mounted Expedition window:

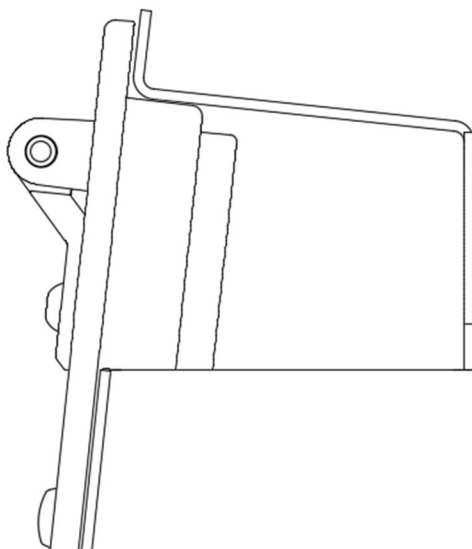
1. Remove the mounting screws and the fixing plates from the expedition window.
2. Open the Expedition window, place the Expedition box on the inside and place a wooden board/beam horizontally on the outside. The wooden board/beam is properly secured by the Expedition box with a tension strap.



3. Then clamp the Expedition box on the inside of the window vertically in two places with a clamping tong.



4. Before you take over the mounting holes of the Expedition window, check whether the Expedition box fits well against the window profile all around due to the limited mounting space.



5. Now copy the hole pattern of the Expedition window with a 4.2 mm drill. We recommend that you install a M4 x 20 screw immediately after drilling each hole and tighten the M4 nut a few turns. In this way the box can no longer move.
6. Now tighten the nuts and screws evenly.

Reinstall the seat belt attachment and the inner lining.

Enjoy your new Expedition storage box!